



OMNTEC
Advanced Tank Monitoring & Leak Detection

PROTEUS® Automatic Tank Gauging and Leak Detection System

Part Number: OEL8000IIK4
OEL8000IIK8



Description

A brighter future in tank gauging and leak detection has arrived with the **PROTEUS** Series. Featuring advanced technology, versatility, scalability, and enhanced features like our 7-inch color touch screen. The **PROTEUS-K** Series can simultaneously monitor product levels, water levels, temperature, leaks, and much more in up to eight tanks. The flexibility of **PROTEUS** makes it ideal for a variety of gauging and leak detection applications.

The OEL8000IIK accepts up to 16 of OMNTEC's Bright Eye (BX Series) sensors for distinguishing product from water or for simply detecting the presence of liquid. A distinct advantage of Bright Eye sensors is they are networked and utilize 4 wire bus technology.

PROTEUS does not require sensor or probe input modules, bringing ease to ordering and installation. A built in microprocessor gives each sensor the ability to identify itself and its location, which is displayed along with alarm conditions on the **PROTEUS's** 7-inch color touch screen graphic display.

With OMNTEC's proven reliability, the **PROTEUS** offers an attractive, comprehensive, and user-friendly system that can open doors to endless possibilities.

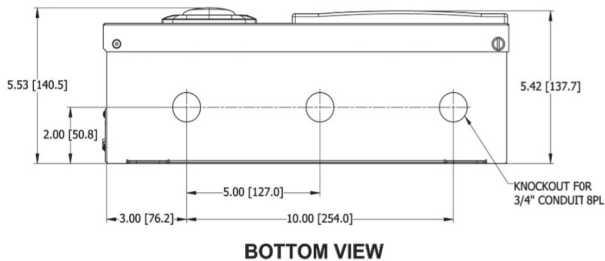
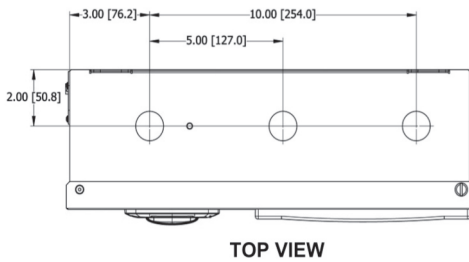
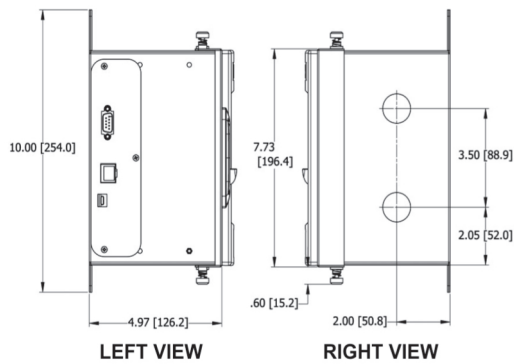
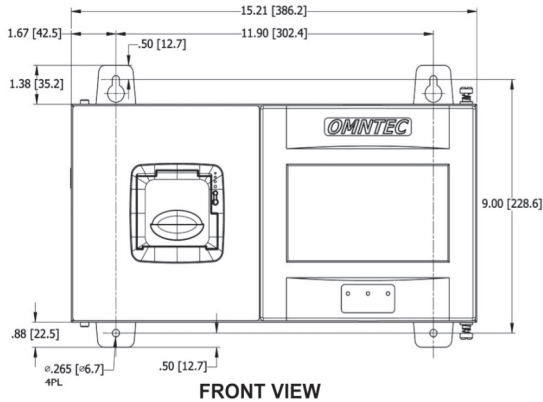
Features

- Accepts up to 8 magnetostrictive probes
- Accepts up to 16 Bright Eye sensors
- Sensors networked using state of the art 4 wire bus technology
- 1 RS-232 port
- 1 RS-485 port (optional)
- 7-inch color touch screen graphic display
- Large user friendly icons
- Easy to read leak and level alarms
- SD memory card slot (for extended logging)
- CITLD upgradeable
- Modbus RTU & TCP upgradeable
- Ethernet / TCP/IP standard
- Built in web server
- E-mail / Text capability standard
- SIL rated operating system
- Remote display option
- Thermal printer option
- VLD standard
- 3 built in programmable relays
- Up to 8 additional dry contact relays
- Flash based non-volatile memory for program storage (does not require a battery)
- Compatible with OMNTEC PC remote tank inventory monitoring

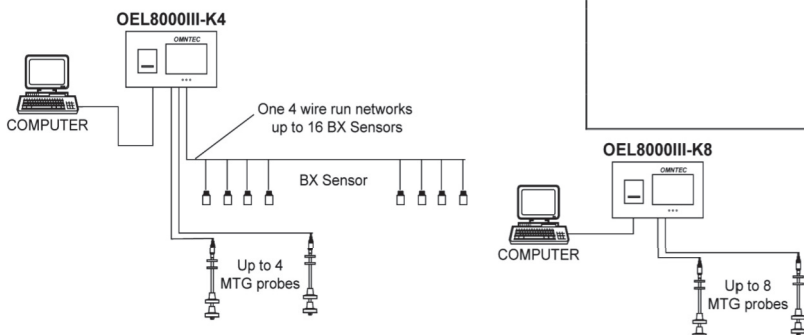
PROTEUS®



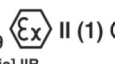
Automatic Tank Gauging and Leak Detection System

Part No. OEL8000IIIK4 & OEL8000IIIK8



OEL8000III-K Application



Specifications						
Optional Features:	36-character thermal printer Modbus RTU and TCP		CITLD upgradeable OMNTEC PC software			
Input Power:	100-240 VAC +/- 10% 50/60 Hz 60 watts					
Voltage to Sensors:	12 VDC					
Voltage to Probes:	28 VDC					
Audio Visual Controls:	Color 7-inch graphic display with touch screen					
Display:	85 dB piezoelectric horn					
Audible alarm:	36-character thermal					
Printer:	3 LED's (OK, Warning, Alarm)					
System status:	120 VAC @ 0.6 amp resistive 3 SPST Failsafe					
Relay Outputs:	12 VDC @ 150 mA					
Low-voltage Outputs:	20 to 140° F (-7° to 60° C)					
Operating Temperature:	BX-Series sensors (refer to document no. 900106)					
Compatible Sensors:	Shielded 22 AWG with drain wire (OMNTEC EC-4) Maximum length 2,000 feet (610m)					
BX-Series Sensor Cable:	Compatible Probes: Rigid Gauging Probe (refer to document no. 900194) MTG-4* (1219mm) MTG-6* (1829mm) MTG-8* (2438mm) MTG-10* (3048mm) Flexible Fixed Top Probe (refer to document no. 900166) MTG-F-* Series Flexible Fixed Bottom Probe (refer to document no. 900162) MTG-FB-* Series *Number signifies shaft length and corresponds to tank diameter. Contact representative for additional lengths.					
MTG Probe Cable:	OMNTEC EC-2 (Shielded Belden #8761) Low Inductance: equal or less than 0.2 microhenries per foot Maximum length 1,000 feet (305m). Consult representative for longer wire runs.					
Accessories:	RD7CTS	Mini-Me remote display				
	DDL Series	Delivery Defender Lite universal remote overfill alarm				
	RAS Series	Remote annunciators				
	PS-103	Thermal printer				
	DPU-C	Thermal paper				
	XC-R8	External relay expansion				
	X232-420	External RS-232 to 4-20 ma converter				
	DB-485	RS-485 board				
	C232-BAC	Bacnet TCP/IP converter				
Weight:	20 lb. (9kg)					
Dimensions:	(h) 7.73" (w) 15.21" (d) 5.53"					
Approvals:	UL-listed & CUL-listed  IECEX UL 13.0057X [Ex ia Ga] IIB   [Ex ia] IIB DEMKO 13 ATEX 1341071X					
Version Summary:	Version	Probes	Sensors	Audio/Visual	Relays	Communication
	K4	4	16	yes	3	(1) RS-232 (1) TCP/IP (1) Expansion Port (1) SD Card slot
	K8	8	0	yes	3	
	K4B	4	16	no	3	
	K8B	8	0	no	3	

Specifications subject to change without notice, verify with manufacturer.



OMNTEC Mfg., Inc.
2420 Pond Road
Ronkonkoma, NY 11779
+1.631.981.2001
+1.631.981.2007
omntec@omntec.com
www.omntec.com